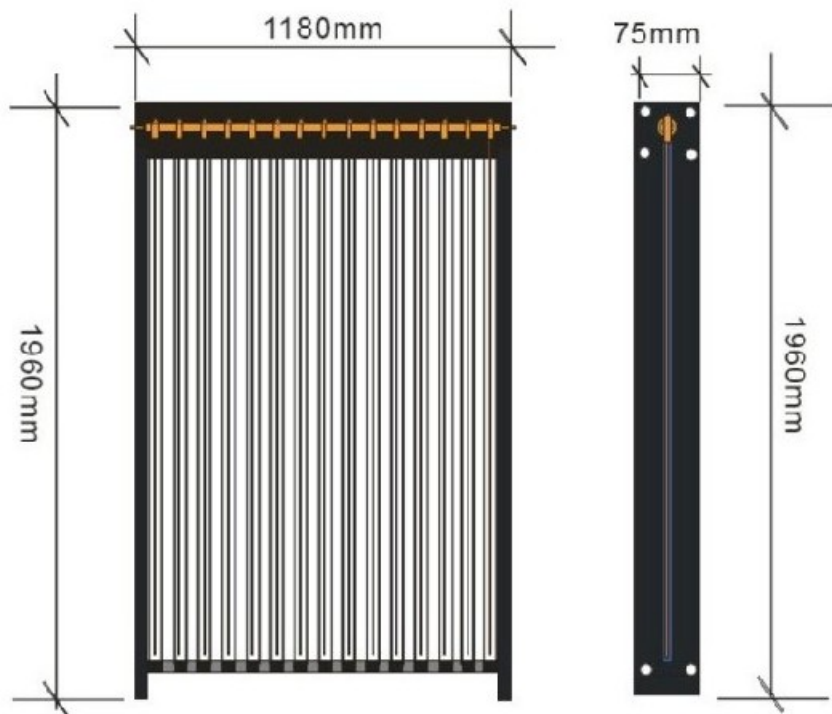
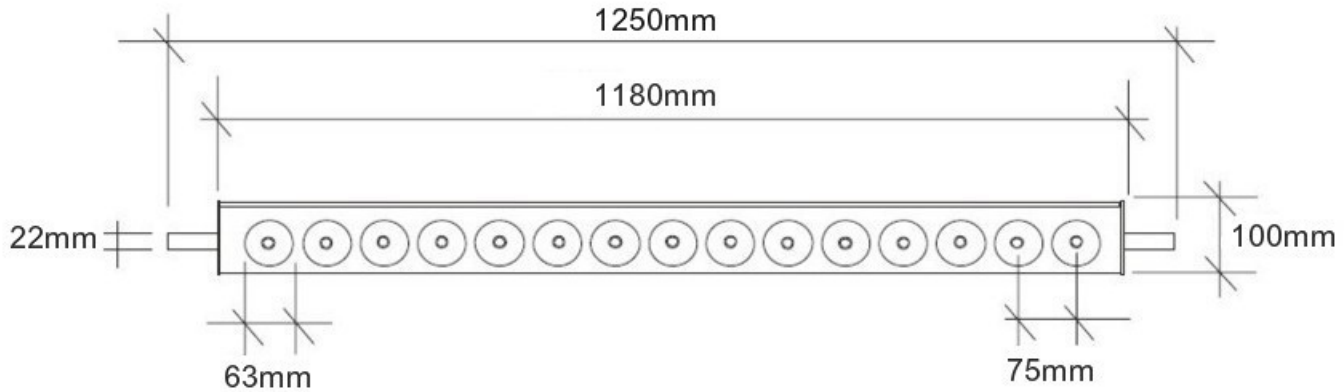


## COLECTOR FUJI-C 15 TUBOS

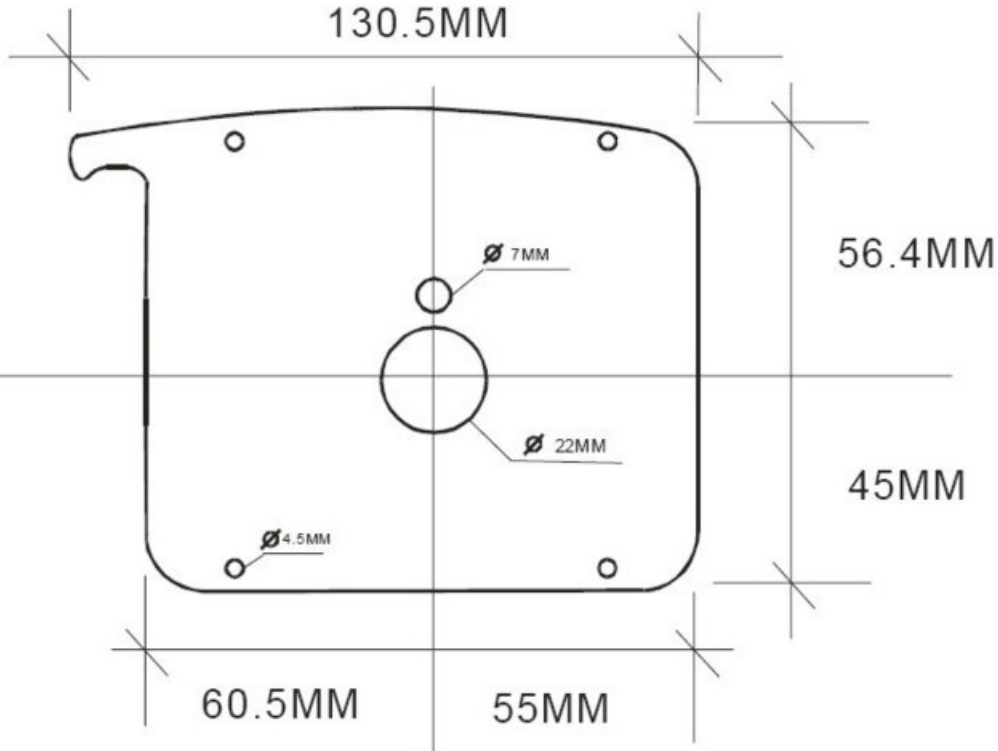


Ø 58\*1800\*15



CABEZAL

130.5MM



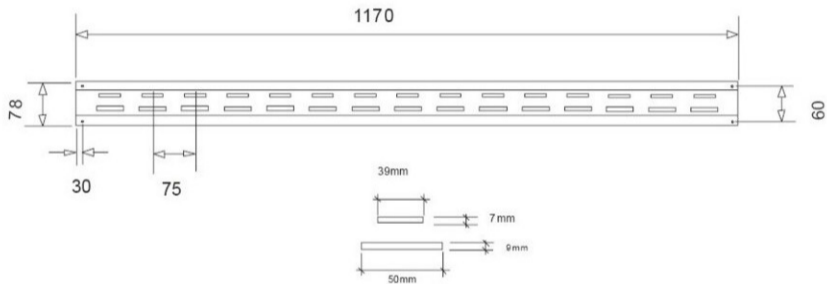
56.4MM

45MM

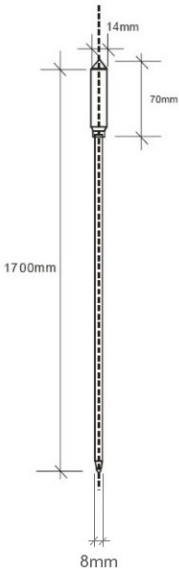
60.5MM

55MM

PERFIL CABEZAL



PLACA INFERIOR DE SUJECION DE TUBOS



HEAT PIPE